



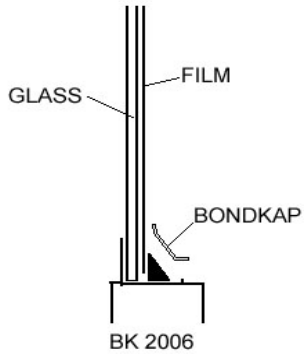
FilmFastener LLC

Featuring *BondKap™*

security film
anchoring system
patent pending

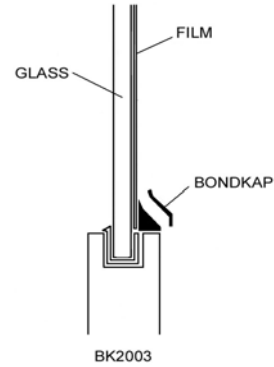
813.926.8721

Which BondKap™ to use for your RESIDENTIAL application



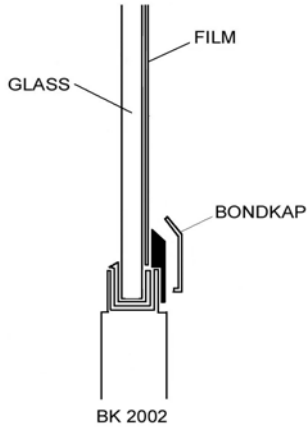
BK 2006

Residential application where the frame and glass are at 90°



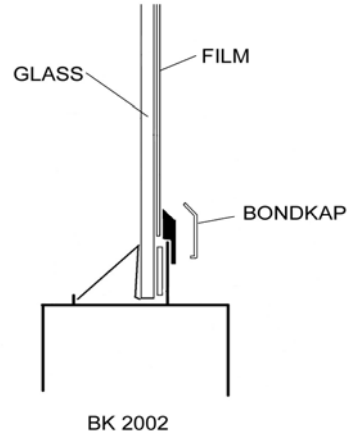
BK 2003

Residential patio door



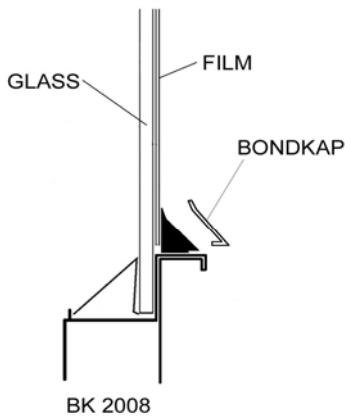
BK 2002

Residential patio door with slim base and header



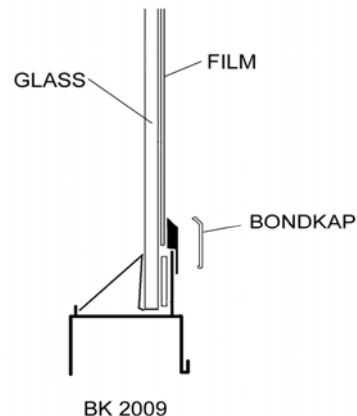
BK 2002

Residential awning window or single hung lower panel and upper panel if you have enough clearance



BK 2008

Residential lower panel or for small applications where the glass and frame are at 90°



BK 2009

Residential upper panel or any application where clearance is an issue